

Scope Wonder

Ever wonder where light is coming from? Scope Wonder Downlight epitomizes this phenomena featuring super low UGR (glare) values. This fixture is designed not to be seen! The 3" offering provides an incredibly wide selection of finishes, mounting options and sources and technology including the release of our INK tunable white source in 2 dynamic ranges.

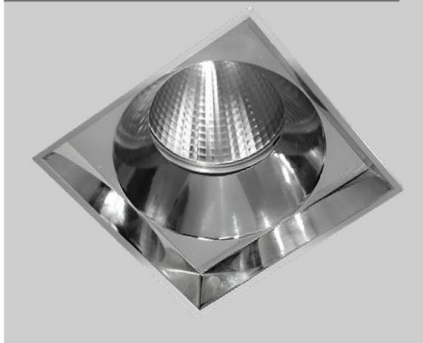
PROJECT:

TYPE:

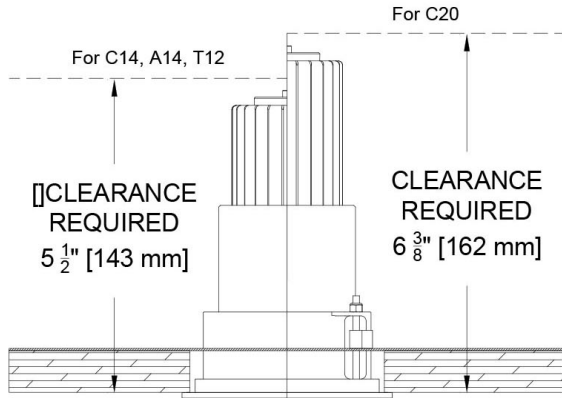
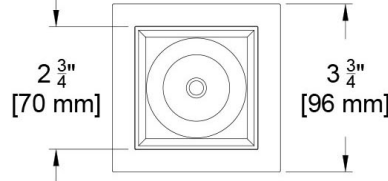
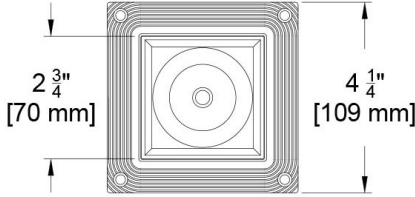
SPECIFIER:

DATE:

3" Square Z (Flangeless)



3" Square F (Flanged)



Square Standard Size (Z)
(See page 4 for Details)

Key Points (SCW3D-S)

Trim

- Machined aluminum Body in USA
- 4 trim bezel color options
- 40 flange color options + custom RAL
- Flange or flangeless

Source / Optics

- UGR values <= 13 (considered excellent)
- Field changable optics
- 3 beam spreads - 20°, 24° and 38°
- Up to 1479 delivered lumens
- <2 MacAdams Ellipses (<2 SDCM)
- 90+ CRI, 60+ R9 Standard; 95+ CRI, 90+ R9 available with Ambient Dim option
- 2700, 3000, 3500, 4000K, Ambient Dim (1900K to 3000K) and Tunable White with 2 available ranges (1800 to 4000K and 2700 to 6500K)

- **TITLE 24** Source supports California Title 24 Requirements to JA8
- Lifetime: L87B3>55,000 hours at 40°C Ambient (for fixed white)

Housing

- Remodel or millwork option available
- **TITLE 24** IC Rated / airtight housing approved for use in direct contact with insulation, Chicago Plenum Available and meets CA Title 24
- 2 pan options IC rated for use in direct contact with insulation (not for spray foam)

Driver And Control

- Drivers are integral with fixtures unless noted as remote mount with * in ordering code options. "K can" type drivers do not fit through the 3" hole
- Phase, 0-10, DALI, Ecosystem or Wireless Control
- Flicker free to IEEE 1789-2015 available
- Universal 120-277v

SQUARE Beamspreads	20°						24°					36°				
	System watts (W)	Delivered Lumens (lm)	Lumens/Watt	UGR	Peak (fc)	10% Field	Delivered Lumens (lm)	Lumens/Watt	UGR	Peak (fc)	10% Field	Delivered Lumens (lm)	Lumens/Watt	UGR	Peak (fc)	10% Field
Citizen C14	14	1078	77	12	6599	40°	1013	72	12	5501	42°	1075	77	13	3375	49°
Citizen C20	21	1479	70	13	9257	40°	1389	66	13	7576	41°	1478	70	13	4633	49°
Ambient Dim A14	15	750	51	13	5586	38°	668	46	12	4240	39°	739	51	13	2949	46°
Tunable White - 1840	10	491	52	13	2967	40°	466	49	13	2374	42°	490	52	12	1525	48°
Tunable White - 2765	10	640	67	11	3786	41°	595	63	7	3060	42	649	68	10	1953	49°

Ordering Codes

PROJECT:

SPECIFIER:

DATE:

TYPE:

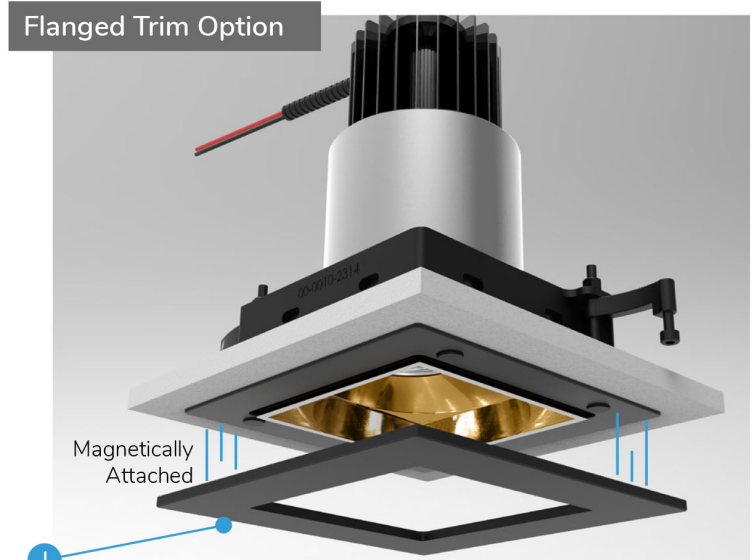
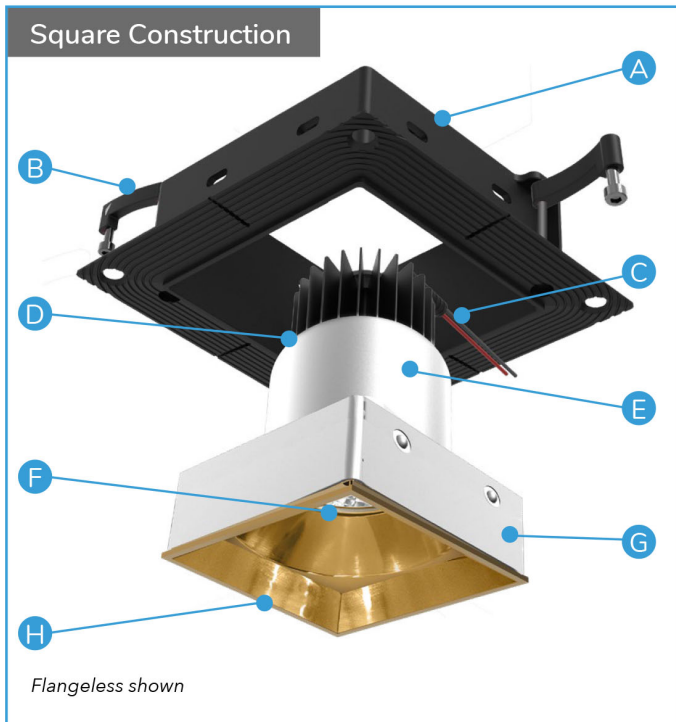
QUANTITY:

Ordering Code Example: SCW3D-S-Z-BP-A14-AD-36-E2-V01-A01

FIXTURE	TRIM	MOUNTING	SOURCE / WATTS	CCT	BEAM	DRIVER / CONTROL	BEZEL FINISH	TRIM FINISH	ACCESSORIES
SCW3D-S									
Scope Wonder 3" Downlight - Square	F Flanged Trim Z Flangeless Trim	NP New Pan (IC rated) for mounting to bottom of studs^ BP Bracket Pan (IC Rated) for mounting with hanger bars to studs or T-bar^ AT ●● Airtight Housing* PM Panel Mount§ RM Remodel mounts direct to ceiling - Wing Springs for flanged and drywall anchors for flangeless ●● Supports CA Title 24 Compliance to JA8 Requirements * Chicago Plenum available with AT ^ Not Airtight, Not for use with spary foam § Must be used with flangeless trims.	Citizen C14 ●● 14W 1078Lm* 90+CRI, 60+R9 C20 ●● 21W 1479Lm* 90+CRI, 60+R9 Ambient Dim A14 ●● 15W 750Lm* 95+CRI, 90+R9 3000 to 1900K T7 ●● 10W 640Lm*^ 90+CRI, 70+R9 Tunable White+ ●● Supports CA Title 24 Compliance to JA8 Requirements * Based on 20° beam ^ Based on 2765 CCT measurement +LTT or EldoLED driver selection required and will be supplied with 2 Channel version	27 2700K 30 3000K 35 3500K 40 4000K Ambient Dim AD 1900-3000K 1840 1800-4000K Tunable White 2765 2700-6500K Tunable White	20 Spot 24 Narrow Flood 36 Flood	C1 0-10 1.0%, UNV (120-277V) linear C2 ELV/Triac 1.0%, (120V) linear EldoLED E1 0-10* 0.1%, UNV (120-277V) log E2 DALI-2* 0.1%, UNV (120-277V) log E3 0-10* 0.1%, UNV (120-277V) linear Lutron LD Digital Ecosystem* 1.0%, UNV (120-277V) ECO Hi-Lume SoftOn/Fade-to-Black LDE1 LP Digital Ecosystem 0.1%, UNV (120-277V) ECO Premier Hi-Lume SoftOn/Fade-to-Black, PEQ0, 20W max LTT Digital* 1.0%, UNV (120-277V) T Series digital 2-channel Tunable White PSQD * Requires remote mounting	V01 Clear Metalize V02 Black Metalize V03 Champagne Metalize V04 Gold Metalize *See Finish Guide 	A32 Clear Anodize A01 Black Anodize W White Paint C Custom/RAL Color* AXX Specialty anodize color* A1-A36 PXX Specialty Paint Color* P01-P15 K Blank for use with Flangeless or Panel Mount *See Finish Guide	CP Chicago Plenum EM Emergency Pack Controls LR Lutron Wireless RF PowPak ATH Lutron Athena Wireless Node Must be used with E2 driver (DALI-2) CA Casambi Wireless BLE to be paired with driver

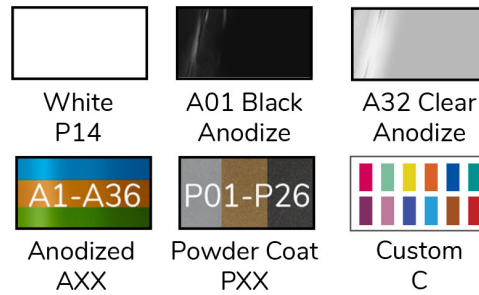
Fixture Details

Receiver with integral plaster/trim attaching flange mounts to pan or housing with ceiling clamp. Body assembly attaches to receiver with ball plungers. Trim Flange (F option) attaches to receiver with magnets

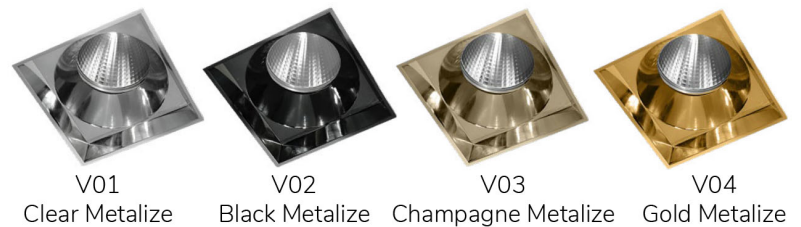


Flanged Finish Options

Black Anodize Flange Trim (A01) with Gold Bezel (V04)(shown)

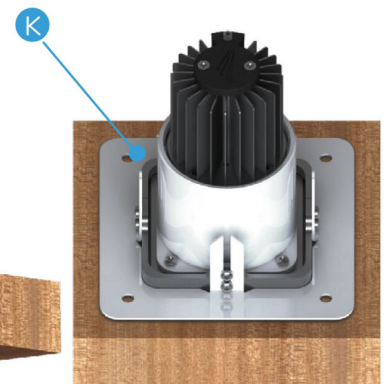


Trim Bezel Finish Options



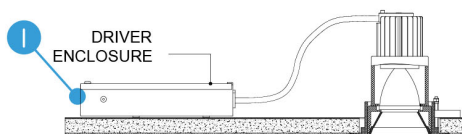
Panel Trim Option

Panel Trim Mounting bracket must be attached to ceiling panel prior to ceiling installation



Square Assembly Specs

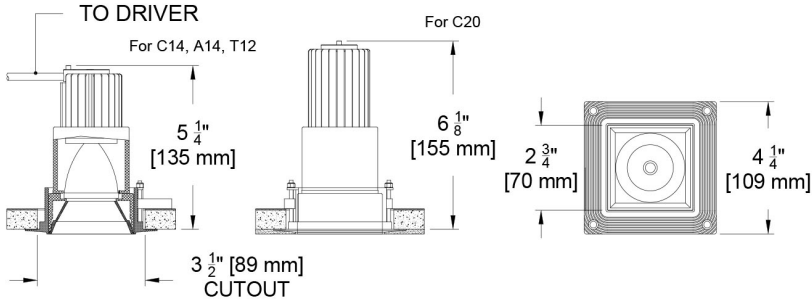
- A Receiver – High Grade Aluminum precision machined in U.S.A. with integral mud flange
- B Ceiling Clamp- Inserts into ceiling and automatically spreads during installation
- C 22AWG wire to Driver. Enclosed in flexible conduit connected to driver enclosure.
- D Thermal management system and body. High grade anodized aluminum, precision machined in the U.S.A.
- E LED Assembly- Field serviceable as part of thermal management system
- F Reflector optic- Field changeable
- G Bezel holder- Precision machined in the U.S.A. with ball stud attachment feature for solid locking and field service
- H Trim Bezel, Molded Polycarbonate finished with 4 color options
- I Integral driver and enclosure – UL approved for IC-serviceable from below the ceiling
- J Finish Trim Flange magnetically attached (flange option)
- K Receiver and mounting bracket for Panel Trim/ millwork wood ceiling



Ceiling Cutouts and Dimensions

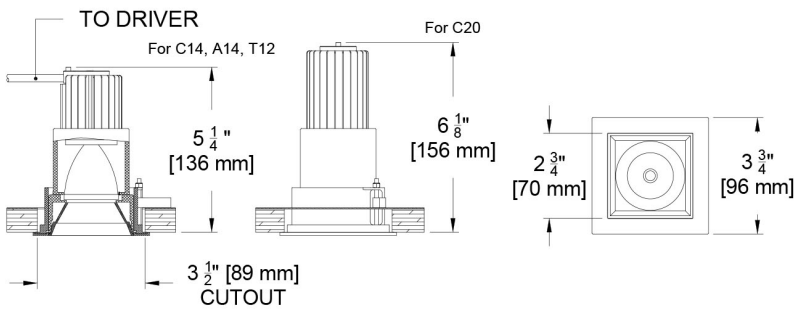
Square New or Bracket Pan Flangeless Trim (Z)

(SCW3D-S-Z-BP / NP-)



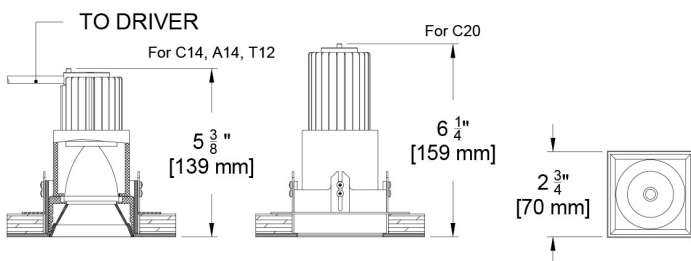
Square New or Bracket Pan Flanged Trim (F)

(SCW3D-S-F-BP / NP-)

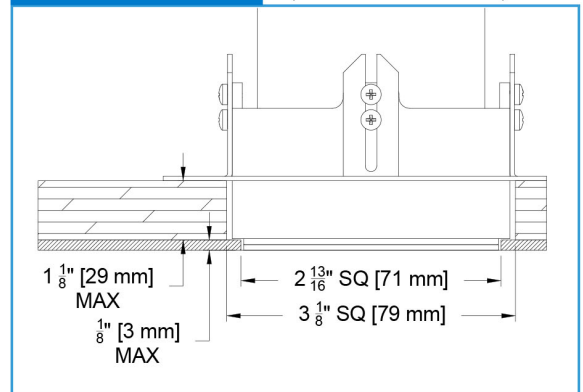


Square Panel Mount

(SCW3D-S-F-PM-)



Panel Mount Detail (SCW3D-S-Z-PM-)

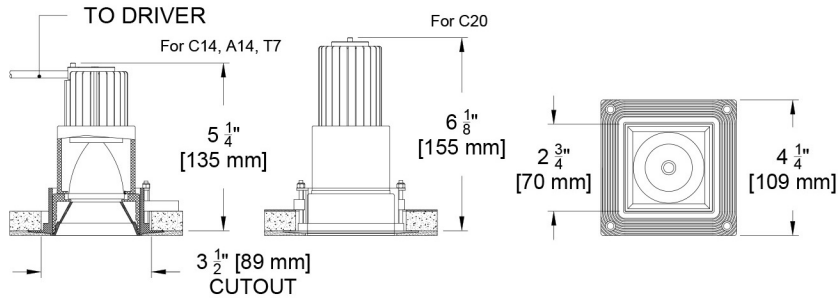


Ceiling Cutouts and Dimensions

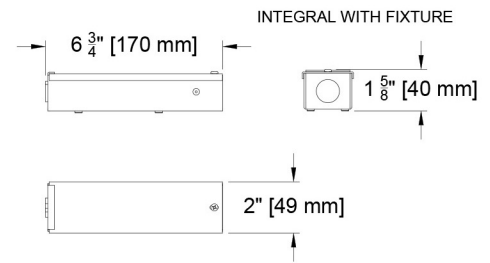
Square Remodel

Flangeless Trim (Z)

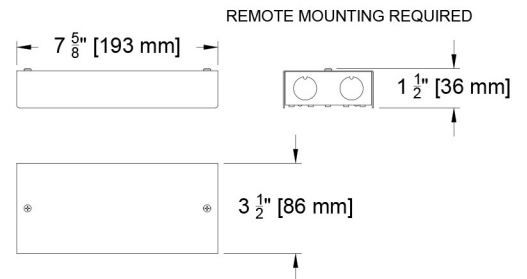
(SCW3D-S-Z-RM-)



Driver Enclosure for C1, LTP



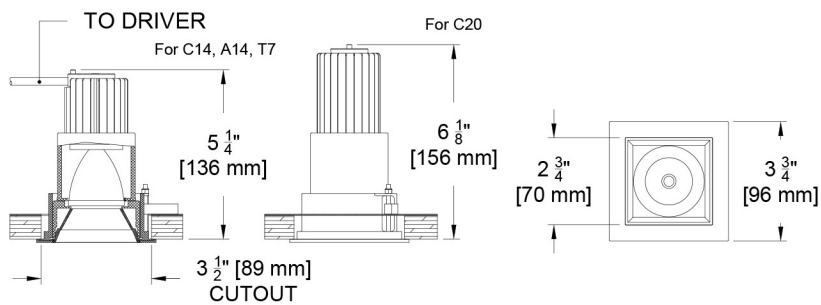
Driver Enclosure for E1, E2, E3, E4, L3, LD



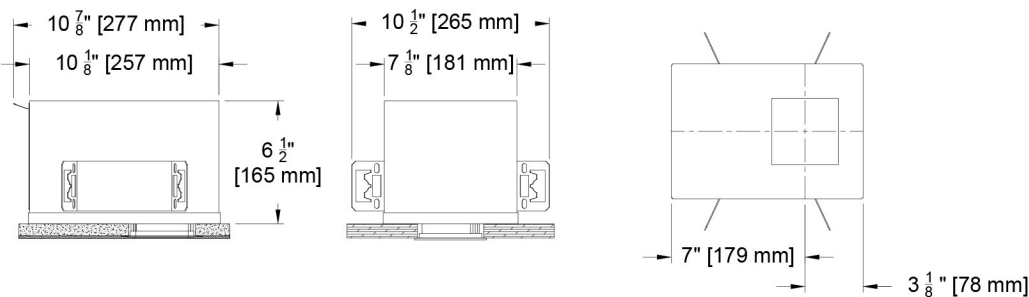
Square Remodel

Flanged Trim (F)

(SCW3D-S-F-RM-)



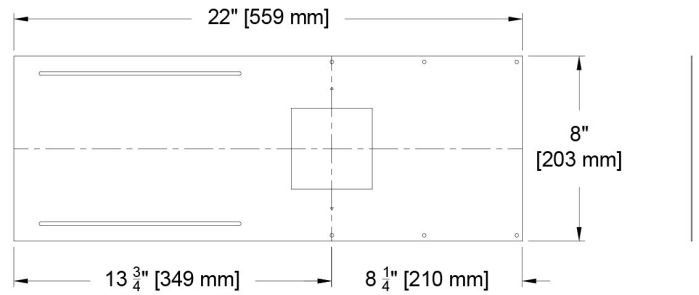
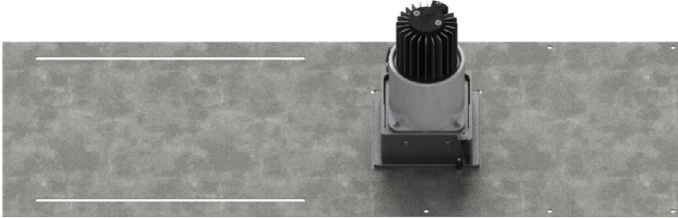
Square Airtight (AT)



Mounting Options

New Pan (SCW3D-S-X-NP)

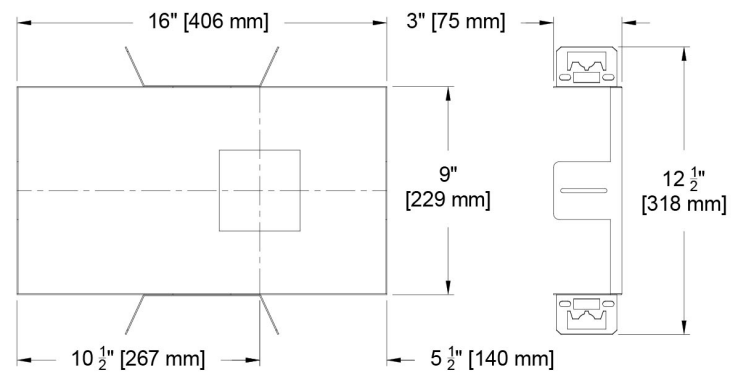
For new construction and attachment to bottom of studs



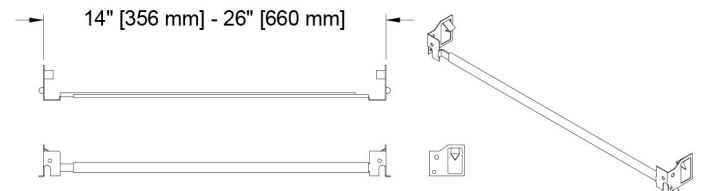
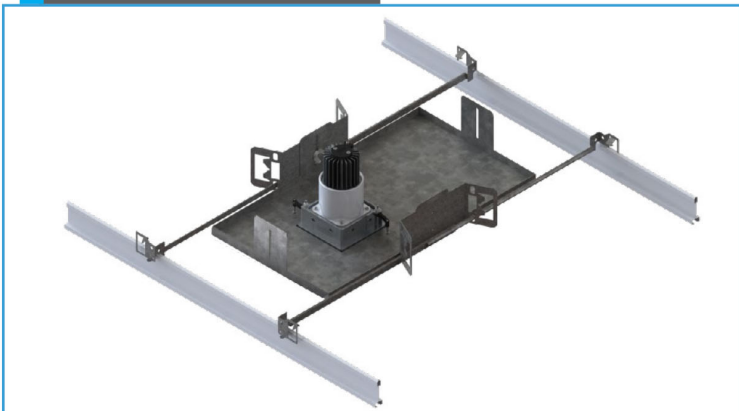
Bracket Pan (SCW3D-S-X-BP)

For new construction using hanger bars for attaching to studs or drop ceiling

Option 1- Attaching to Studs



Option 2- Attaching to Drop Ceiling



Note: For panel trim mounting see page 3 for picture of detail or refer to installation instructions

Photometric Table

All data below are delivered lumens based on goniometer measurements of production representative product. All lumen values can vary +/- 10% from LED manufacturer rated flux range.

SQUARE Beamspreads		20°					24°					36°				
Source	System watts (W)	Delivered Lumens (lm)	Lumens/Watt	UGR	Peak (fc)	10% Field	Delivered Lumens (lm)	Lumens/Watt	UGR	Peak (fc)	10% Field	Delivered Lumens (lm)	Lumens/Watt	UGR	Peak (fc)	10% Field
Citizen C14	14	1078	77	12	6599	40°	1013	72	12	5501	42°	1075	77	13	3375	49°
Citizen C20	21	1479	70	13	9257	40°	1389	66	13	7576	41°	1478	70	13	4633	49°
Ambient Dim A14	15	750	51	13	5586	38°	668	46	12	4240	39°	739	51	13	2949	46°
Tunable White - 1840	10	491	52	13	2967	40°	466	49	13	2374	42°	490	52	12	1525	48°
Tunable White - 2765	10	640	67	11	3786	41°	595	63	7	3060	42°	649	68	10	1953	49°
CCT Multiplier		<p style="text-align: center;">Beam angle 20.8°</p>					<p style="text-align: center;">Beam angle 23.6°</p>					<p style="text-align: center;">Beam angle 35.2°</p>				
CCT	Citizen															
2700	0.95															
3000	1.00															
3500	1.02															
4000	1.03															
<p>All measurements are delivered lumens based on 3000K unless otherwise noted below. Ambient Dim measured at full output. Tunable White measurements at mid-point CCT of range (2700K for TW18 and 4500K for TW27 source). ISO CD Plots based on C20 Source. UGR values based on 4H 3H row.</p>																

Color Data

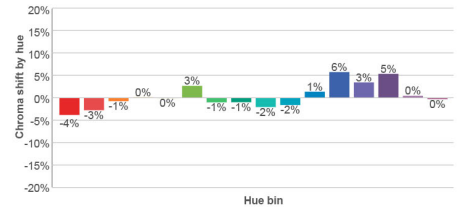
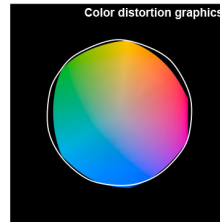
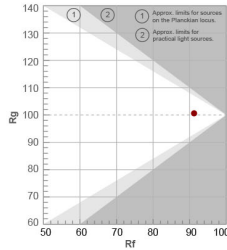
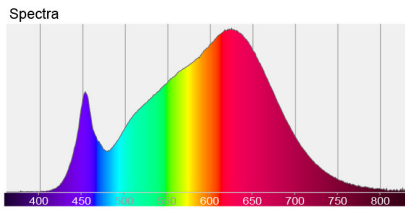
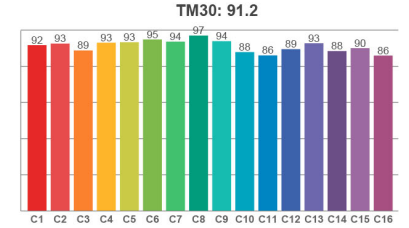
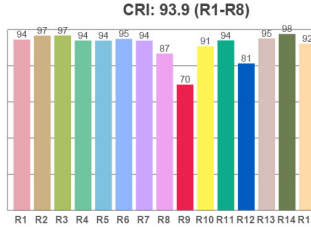
Color and flux information based on goniometer measurements of production representative product. All values can vary +/- 10% from LED manufacturer rated data range as listed on their datasheet. See specific PDF photometric reports found in the photometric dropdown in the product landing page for more specific color information.

Citizen Source C14, C20

- <2 MacAdam Ellipse (<2 SDCM)
- 90+ CRI and RF
- 60+R9, Hue Bin 1

94 CRI 70 R9

91 RF 100 RG

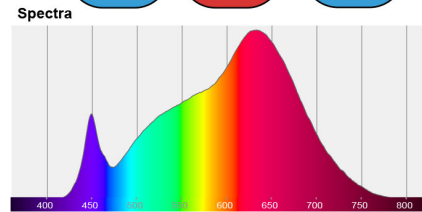


Ambient Dim Source A14 (AD - 3000k to 1900k)

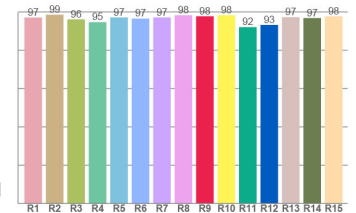
- <3 MacAdam Ellipse (<3 SDCM)
- 95+ CRI and RF
- 90+R9, Hue Bin 1
- Follows Black Body Locus through dimming range

3000 CCT Full Output

97 CRI 98 R9 95 RF 104 RG

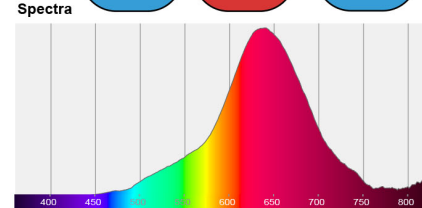


CRI: 96.9 (R1-R8)

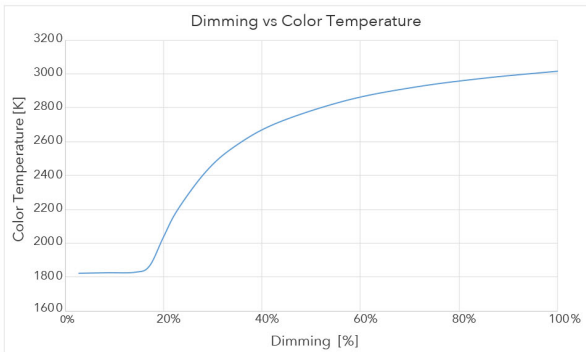
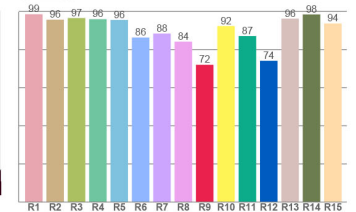


1850 CCT 5% Output

93 CRI 72 R9 83 RF 110 RG



CRI: 92.6 (R1-R8)

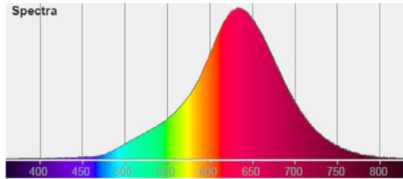


Tunable White source T7 - CCT 1840 (1800k to 4000k)

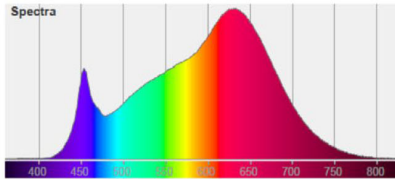
- <3 MacAdam Ellipse (<3 SDCM)
- 94 CRI average across all CCTs
- 76 R9 average across all CCTs
- Available with wired or wireless control

TUNABLE WHITE - 1800-4000K							
Color Temp	1800	2200	2500	2700	3000	3500	4000
System Watts	10	10	10	10	10	10	10
Delivered Lumens	379	433	468	491	539	571	571
Luminaire Efficiency	40	46	49	52	57	60	60
Flux and Color data based on 20° measurement at 2700k. All other values are extrapolated from actual and analytical tests							

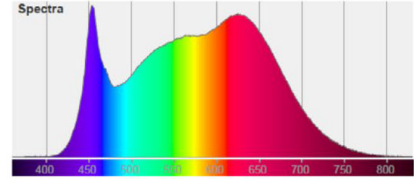
Spectral Power Distributions at all listed CCTs available upon request



1800K



3000K



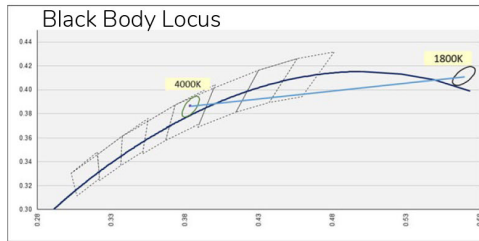
4000K

94
CRI

76
R9

89
RF

97
RG

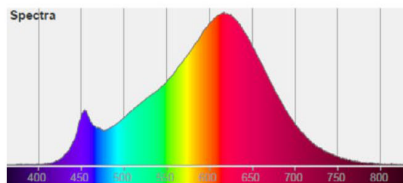


Tunable White source T7 - CCT 2765 (2700k to 6500k)

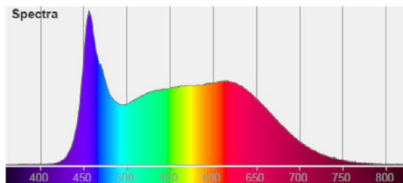
- <3 MacAdam Ellipse (<3 SDCM)
- 94 CRI average across all CCTs
- 96 R9 average across all CCTs
- Available with wired or wireless control

TUNABLE WHITE - 2700-6500K									
Color Temp	2700	3000	3500	4000	4500	5000	5500	6000	6500
System Watts	10	10	10	10	10	10	10	10	10
Delivered Lumens	602	620	640	640	640	639	638	636	644
Luminaire Efficiency	63	65	67	67	67	67	67	67	68
Flux and Color data based on 20° measurement at 4500k. All other values are extrapolated from actual and analytical tests									

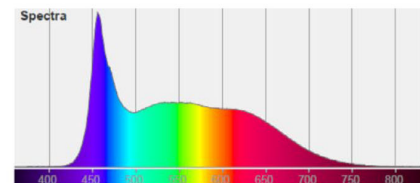
Spectral Power Distributions at all listed CCTs available upon request



2700K



5000K



6500K

96
CRI

96
R9

91
RF

99
RG

